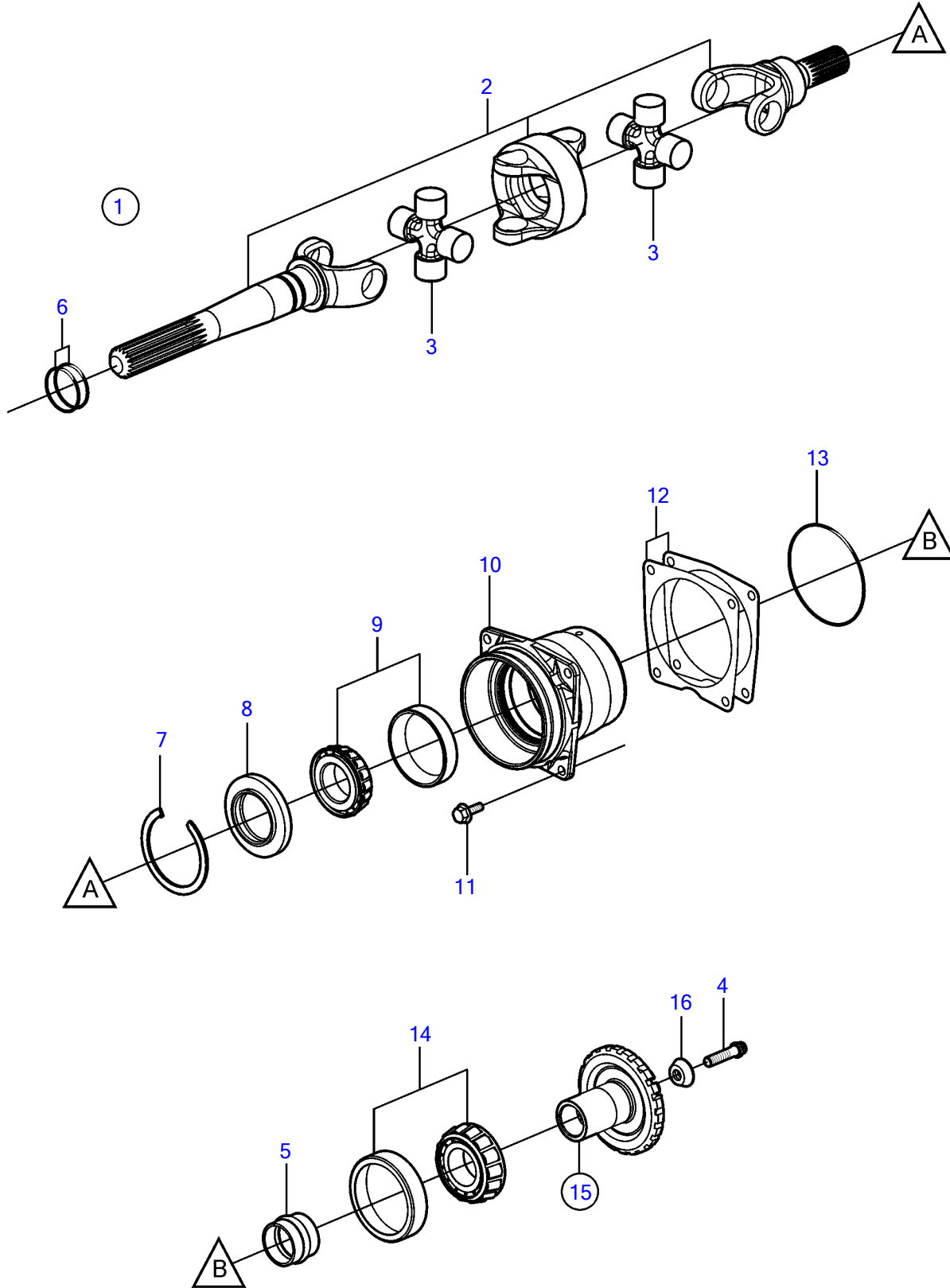


XDP-B



XDP-B

| REF | PART NO. | QTY | DESCRIPTION | SEE SEC. | NOTES |
|-----|----------|-----|---------------------|-------------|--------------|
| 1 | 3860842 | 1 | Kit | | |
| | | | • Bulletin P-44-1-5 | P-44-1-5-EN | U-joints |
| 2 | | 1 | • Universal joint | | Not serviced |
| 3 | | 2 | • • Spider | | Not serviced |
| 4 | 3860364 | 1 | • Screw | | |
| 5 | 3852304 | 1 | • Sleeve | | |
| 6 | 3852565 | 2 | O-ring | | |
| 7 | 914538 | 1 | Snap ring | | |
| 8 | 3852272 | 1 | Sealing | | |
| 9 | 3850853 | 1 | Bearing | | |
| 10 | 3860191 | 1 | Bearing carrier | | |
| 11 | 982285 | 4 | Flange screw | | |
| 12 | 3860274 | 1 | Shim | | TH=0.08mm |
| | 3860594 | 1 | Shim | | TH=0,10mm |
| | 3860595 | 1 | Shim | | TH=0.13mm |
| | 3860596 | 1 | Shim | | TH=0.25mm |
| 13 | 925095 | 1 | O-ring | | |
| 14 | 3850852 | 1 | Bearing | | |
| 15 | 21130693 | 1 | Kit | 4596 | 2.32, 2.11 |
| | 21130692 | 1 | Kit | | 1.96, 1.78 |
| 16 | 853026 | 1 | Washer | | |